

2/8 P

2/8 POLI / POLES 3000/750 rpm - V 400/50 Hz - Doppio avvolgimento / Double winding

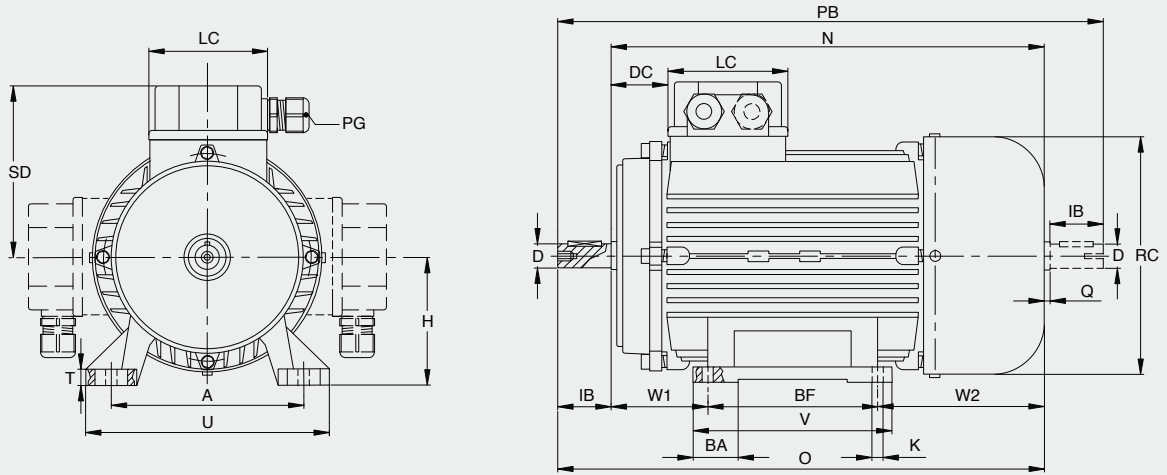
TIPO TYPE		Potenza Power		rpm	In 400 V A	Rend% Eff.%	Cosφ p.f.	Ia In	Ca Cn	Cn Nm	J kgm ²	Peso Weight Kg	TIPO TYPE	DC				AC				DC - S				POS.DC				
DAV	poli poles	kw	hp											CF Nm	Cicli/h Cycles/h	PB Watt	Peso Weight Kg	CF Nm	Cicli/h Cycles/h	PB VA	Peso Weight Kg	CF Nm	Cicli/h Cycles/h	PB Watt	Peso Weight Kg	CF Nm	Cicli/h Cycles/h	PB Watt	Peso Weight Kg	
DP63C	2	0,18	0,25	2780	0,800	55,0	0,59	3,5	1,1	0,62	0,00040	4,4	AD63C	2	4	2250	20	6,0	5	2250	40	6,0	3	2250	18	5,4	7,5	2250	11,5	5,4
	8	0,06	0,08	660	0,500	21,4	0,81	2,2	1,7	0,87	0,00040	4,4		8	4	16000	20	6,0	5	16000	40	6,0	3	16000	18	5,4	7,5	16000	11,5	5,4
DP71C	2	0,30	0,40	2847	0,958	52,0	0,87	4,1	1,1	1,01	0,00080	6,3	AD71C	2	4	2700	20	8,0	5	2700	40	8,0	4	2700	18	7,6	7,5	2700	11,5	7,3
	8	0,09	0,12	673	0,518	37,8	0,66	2,3	1,8	1,28	0,00080	6,3		8	4	20000	20	8,0	5	20000	40	8,0	4	20000	18	7,6	7,5	20000	11,5	7,3
DP80A	2	0,55	0,75	2800	1,800	74,7	0,59	4,2	1,4	1,88	0,00140	8,7	AD80A	2	8	1800	25	11,0	10	1800	70	11,0	9	1800	25	10,9	15,0	1800	16,0	10,0
	8	0,11	0,15	680	1,100	41,2	0,35	2,4	1,9	1,55	0,00140	8,7		8	8	18000	25	11,0	10	18000	70	11,0	9	18000	25	10,9	15,0	18000	16,0	10,0
DP80B	2	0,75	1,00	2813	1,966	63,0	0,88	4,5	1,3	2,55	0,00170	9,9	AD80B	2	8	1800	25	13,0	10	1800	70	13,0	9	1800	25	12,1	15,0	1800	16,0	11,0
	8	0,15	0,20	702	0,963	34,7	0,65	2,4	1,9	2,04	0,00170	9,9		8	8	18000	25	13,0	10	18000	70	13,0	9	18000	25	12,1	15,0	18000	16,0	11,0
DP90S	2	1,00	1,40	2817	2,519	64,0	0,90	4,8	1,4	3,39	0,00350	12,5	AD90S	2	16	1600	30	17,0	20	1600	120	17,0	10	1600	25	14,7	30,0	1600	21,0	15,0
	8	0,25	0,33	692	1,289	46,7	0,60	2,5	1,7	3,45	0,00350	12,5		8	16	16000	30	17,0	20	16000	120	17,0	10	16000	25	14,7	30,0	16000	21,0	15,0
DP90L	2	1,35	1,80	2870	3,828	65,0	0,78	4,8	1,4	4,49	0,00450	14,0	AD90L	2	16	1600	30	19,0	20	1600	120	19,0	10	1600	25	16,2	30,0	1600	21,0	16,0
	8	0,33	0,45	696	1,699	45,0	0,62	2,6	1,7	4,53	0,00450	14,0		8	16	15000	30	19,0	20	15000	120	19,0	10	15000	25	16,2	30,0	15000	21,0	16,0
DP90LB	2	1,70	2,30	2860	4,900	74,0	0,68	5,6	1,3	5,68	0,00550	16,0	AD90LB	2	16	1600	30	21,0	20	1600	120	21,0	10	1600	25	18,2	30,0	1600	21,0	18,0
	8	0,40	0,55	680	2,500	39,3	0,59	2,9	1,6	5,62	0,00550	16,0		8	16	14000	30	21,0	20	14000	120	21,0	10	14000	25	18,2	30,0	14000	21,0	18,0
DP100A	2	1,80	2,50	2880	5,000	75,0	0,69	5,8	1,5	5,97	0,00900	19,0	AD100A	2	32	900	40	25,5	40	900	160	27,5	12	900	35	22,5	60,0	900	28,0	23,0
	8	0,50	0,70	700	2,400	39,1	0,77	3,0	1,7	6,82	0,00900	19,0		8	32	9000	40	25,5	40	9000	160	27,5	12	9000	35	22,5	60,0	9000	28,0	23,0
DP100B	2	2,20	3,00	2880	5,000	76,0	0,84	6,2	1,6	7,30	0,01000	22,0	AD100B	2	32	900	40	29,0	40	900	160	31,0	12	900	35	25,5	60,0	900	28,0	26,0
	8	0,60	0,80	700	2,300	55,0	0,69	3,6	1,9	8,19	0,01000	22,0		8	32	9000	40	29,0	40	9000	160	31,0	12	9000	35	25,5	60,0	9000	28,0	26,0
DP112A	2	3,00	4,00	2939	6,820	80,7	0,79	6,5	1,7	9,75	0,01500	33,0	AD112A	2	60	950	50	42,0	60	950	300	42,0	13	950	35	36,7	60,0	950	28,0	40,0
	8	0,75	1,00	710	3,300	66,2	0,52	3,6	1,9	10,09	0,01500	33,0		8	60	8000	50	42,0	60	8000	300	42,0	13	8000	35	36,7	60,0	8000	28,0	40,0
DP132S	2	3,70	5,00	2923	8,556	73,1	0,85	7,0	1,8	12,09	0,03000	44,0	AD132S	2	80	400	55	57,0	90	400	500	58,0	17	400	35	46,5	120,0	400	38,0	56,0
	8	1,10	1,50	714	4,056	65,4	0,60	4,2	1,9	14,72	0,03000	44,0		8	80	1600	55	57,0	90	1600	500	58,0	17	1600	35	46,5	120,0	1600	38,0	56,0
DP132M	2	5,50	7,50	2935	11,930	78,8	0,85	7,5	2,0	17,90	0,04000	52,0	AD132M	2	80	350	55	66,0	90	350	500	67,0	17	350	35	56,5	120,0	350	38,0	64,0
	8	1,30	1,75	726	4,815	75,0	0,54	4,8	1,9	14,48	0,04000	52,0		8	80	1600	55	66,0	90	1600	500	67,0	17	1600	35	56,5	120,0	1600	38,0	64,0
DP160M	2	7,50	10,00	2900	17,000	78,0	0,80	7,0	2,6	24,71	0,08800	70,0	AD160M	2	150	300	85	108,0	200	300	600	106,0	30	300	65	95,0	240,0	300	45,0	91,0
	8	2,20	3,00	720	10,000	66,0	0,50	5,0	1,8	29,19	0,08800	70,0		8	150	1500	85	108,0	200	1500	600	106,0	30	1500	65	95,0	240,0	1500	45,0	91,0
DP160L	2	11,00	15,00	2900	22,000	82,0	0,85	7,0	2,8	36,24	0,10600	90,0	AD160L	2	150	300	85	119,0	200	300	600	117,0	30	300	65	106,0	240,0	300	45,0	111,0
	8	4,00	5,30	725	13,500	77,0	0,58	5,5	1,8	52,71	0,10600	90,0		8	150	1000	85	119,0	200	1000	600	117,0	30	1000	65	106,0	240,0	1000	45,0	111,0
DP180L	2	18,50	25,00	2920	39,000	87,0	0,79	6,3	2,2	60,53	0,15000	130,0	AD180L	2	260	200	100	149,0	400	200	600	149,0	-	-	-	-	480,0	200	70,0	150,5
	8	5,50	7,50	725	25,000	86,0	0,37	5,0	2,0	72,48	0,15000	130,0		8	260	200	100	149,0	400	200	600	149,0	-	-	-	-	480,0	200	70,0	150,5
DP200L	2	25,00	35,00	2900	55,000	88,0	0,75	7,0	2,5	82,36	0,20000	160,0	AD200L	2	400	100	100	169,0	400	100	600	169,0	-	-	-	-	480,0	100	70,0	181,0
	8	7,50	10,00	725	33,000	87,0	0,38	5,0	2,0	98,84	0,20000	160,0		8	400	100	100	169,0	400	100	600	169,0	-	-	-	-	480,0	100	70,0	181,0

Motori asincroni trifase **doppia polarità** serie DP
 Motori asincroni trifase **doppia polarità autofrenanti** serie AD
 DP series **two-speed** three-phase induction motors
 AD series **two-speed** three-phase induction **brake** motors

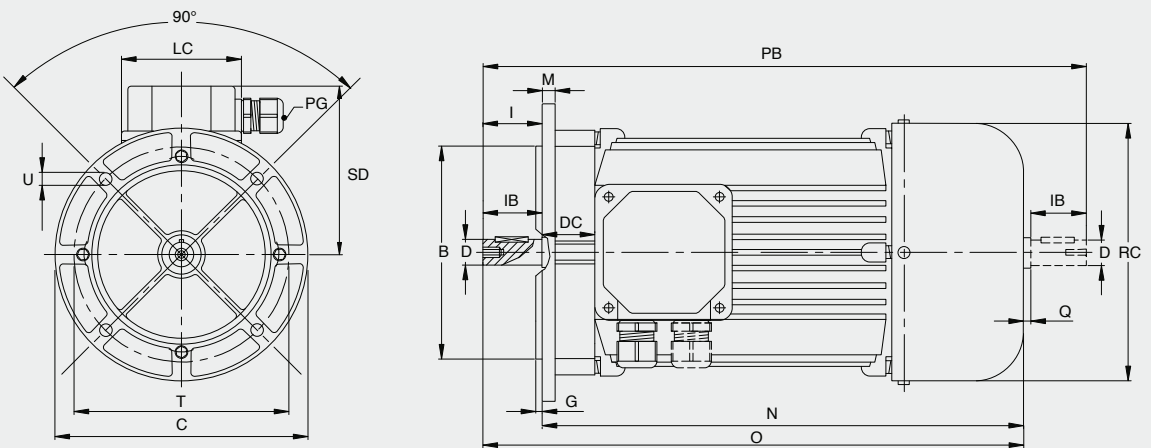
Dimensioni motori trifase e doppia polarità serie T - DP - HE2 - HE3** - IN
 Dimensions of three-phase and two-speed motors series T - DP - HE2 - HE3** - IN

In generale dalla grandezza 71 ÷ 200 piedi riportati / In generale dalla grandezza 71 ÷ 200 piedi riportati

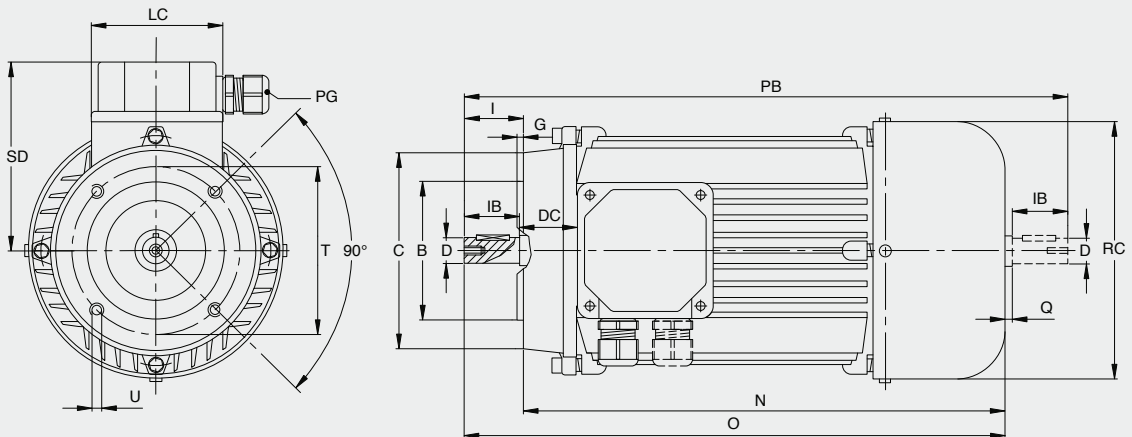
B3



B5

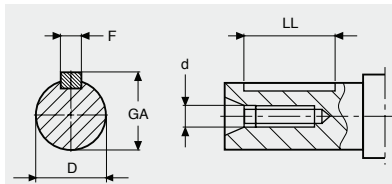


B14



* vedere pag. 45 ** su richiesta * see page 45 ** upon request

Tab. 37



Grand. / Size	50	56	63	71	80	90	100	112	132	160	180	200
F	3	3	4	5	6	8	8	8	10	12	14	16
D	9	9	11	14	19	24	28	28	38	42	48	55
GA	10,2	10,2	12,5	16,0	21,5	27,0	31,0	31,0	41,0	45,0	52,5	59,0
d		M4	M4	M5	M6	M8	M10	M10	M12	M16	M16	M20
LL	15	15	15	20	30	40	50	50	60	100	90	100

Grand. Size	Dimensioni / Dimensions																			B3	
	D	IB	A	BF	K	H	W1	W2	N	O	PG	RC	SD	TP	U	V	PB	Q	LC	DC	BA
56	9	20	90	71	6	56	36	61,0	168,0	188,0	M16	110	95	10	108	90	211,0	3	75	24	25
63	11	23	100	80	7	63	40	70,5	190,5	213,5	M16	123	100	10	120	105	239,5	3	75	28	27
71	14	30	112	90	8	71	48	80,0	218,0	248,0	M16	137	109	11	136	108	281,0	3	75	36	24
80	19	40	125	100	9	80	54	88,0	242,0	282,0	M20	156	123	13/14	154	125	326,0	4	91	35	30
90S	24	50	140	100	10	90	59	96,0	255,0	305,0	M20	176	128	13/15	170	130	358,0	3	91	40	30
90L	24	50	140	125	10	90	59	96,0	280,0	330,0	M20	176	128	13/15	170	155	383,0	3	91	40	32
100	28	60	160	140	13	100	63	109,0	312,0	372,0	M20	194	140	15/16	192	175	437,0	5	91	45	32
112	28	60	190	140	13	112	72	118,0	330,0	390,0	M20	218	148	15	224	176	455,0	5	91	47	34
132S	38	80	216	140	14	132	89	151,5	380,5	460,5	M32	258	177	16/18	260	180	546,5	6	106	57	37
132M	38	80	216	178	14	132	89	151,5	418,5	498,5	M32	258	177	16/18	260	218	584,5	6	106	57	37
160M	42	110	254	210	16	160	108	173,0	491,0	601,0	M32	309	220	18	318	260	718,0	7	165	118	52
160L	42	110	254	254	16	160	108	173,0	535,0	645,0	M32	309	220	18	318	304	-	-	165	118	52
180	48	110	280	280	16	180	120	210,0	610,0	720,0	M32	346	260	24	346	330	-	-	187	51	42
200	55	110	318	305	18	200	118	208,0	631,0	741,0	M32	348	260	26	398	355	-	-	187	62	54

Grand. Size	Dimensioni / Dimensions																			B5	
	D	I	B	C	G	M	N	O	PG	RC	SD	T	U	PB	Q	LC	DC	IB	LC	DC	BA
56	9	20	80	120	2,5	8,5	168,0	188,0	M16	110	95	100	7,0	211,0	3	75	24	20	75	24	25
63	11	23	95	140	2,5	10,0	190,5	213,5	M16	123	100	115	9,5	239,5	3	75	28	23	75	28	27
71	14	30	110	160	3,0	10,0	218,0	248,0	M16	137	109	130	9,5	281,0	3	75	36	30	75	36	24
80	19	40	130	200	3,0	11,0	242,0	282,0	M20	156	123	165	12,0	326,0	4	91	35	40	91	35	30
90S	24	50	130	200	3,5	10,0	255,0	305,0	M20	176	128	165	12,0	358,0	3	91	40	50	91	40	30
90L	24	50	130	200	3,5	10,0	280,0	330,0	M20	176	128	165	12,0	383,0	3	91	40	50	91	40	32
100	28	60	180	250	4,0	14,0	312,0	372,0	M20	194	140	215	14,5	437,0	5	91	45	60	91	45	32
112	28	60	180	250	4,0	14,0	330,0	390,0	M20	218	148	215	14,5	455,0	5	91	47	60	91	47	34
132S	38	80	230	300	4,0	20,0	380,5	460,5	M32	258	177	265	14,5	546,5	6	106	57	80	106	57	37
132M	38	80	230	300	4,0	20,0	418,5	498,5	M32	258	177	265	14,5	584,5	6	106	57	80	106	57	37
160M	42	110	250	350	5,0	20,0	491,0	601,0	M32	309	220	300	18,5	718,0	7	165	118	110	165	118	52
160L	42	110	250	350	5,0	20,0	535,0	645,0	M32	309	220	300	18,5	-	-	165	118	110	165	118	52
180	48	110	250	350	5,0	20,0	610,0	720,0	M32	346	260	300	19,0	-	-	187	51	110	187	51	42
200	55	110	300	400	5,0	20,0	631,0	741,0	M32	348	260	350	19,0	-	-	187	62	110	187	62	54

Grand. Size	Dimensioni / Dimensions																			B14	
	D	I	B	C	G	N	O	PG	RC	SD	T	U	PB	Q	LC	DC	IB				
50A	9	20	50	80	2,5	125,0	145,0	M16	98	77	65	M5	-	-	56	20	20				
50B	9	20	50	80	2,5	141,0	161,0	M16	98	77	65	M5	184,0	3	64	23	20				
56	9	20	50	80	2,5	168,0	188,0	M16	110	95	65	M5	211,0	3	75	24	20				
63	11	23	60	90	2,5	190,5	213,5	M16	123	100	75	M5	239,5	3	75	28	23				
71	14	30	70	105	3,0	218,0	248,0	M16	137	109	85	M6	281,0	3	75	36	30				
80	19	40	80	120	3,0	242,0	282,0	M20	156	123	100	M6	326,0	4	91	35	40				
90S	24	50	95	140	3,0	255,0	305,0	M20	176	128	115	M8	358,0	3	91	40	50				
90L	24	50	95	140	3,0	280,0	330,0	M20	176	128	115	M8	383,0	3	91	40	50				
100	28	60	110	160	4,0	312,0	372,0	M20	194	140	130	M8	437,0	5	91	45	60				
112	28	60	110	160	4,0	330,0	390,0	M20	218	148	130	M8	455,0	5	91	47	60				
132S	38	80	130	200	4,0	380,5	460,5	M32	258	177	165	M10	546,5	6	106	57	80				
132M	38	80	130	200	4,0	418,5	498,5	M32	258	177	165	M10	584,5	6	106	57	80				
160M	42	110	180	250	4,0	491,0	601,0	M32	309	220	215	M12	718,0	7	165	118	110				
160L	42	110	180	250	4,0	535,0	645,0	M32	309	220	215	M12	-	-	165	118	110				

B14 - grandezze 180 / 200 disponibili su richiesta B14 - sizes 180 / 200 available on request